

Orange Blanket with Border



Sewing Supplies

- Husqvarna Viking Designer I
- Velvet, 74 3/8" x 51 1/4" (190 x 130 cm)
- Patterned heavier fabric measuring 78 3/4" x 55" (200 x 140 cm)
- Sewing thread in a color to match the patterned fabric

Optional:

- Husqvarna Viking Edge/Joining Foot (412 28 02-45)

CUT

Cut the pieces in velvet and print fabric according to the measurements above.

SEW

Fold and press under 3/8" (1 cm) on the print fabric piece on all sides.

To create the border around the velvet, place the print fabric on a flat surface, right side up. Use presserfoot A, select straight stitch, stitch length 3.0. Sew a mitered corner by folding the edges 2 1/4" (5.5 cm) to the right side. Pin and mark a 45 degree angle, at each corner. Illustration A.

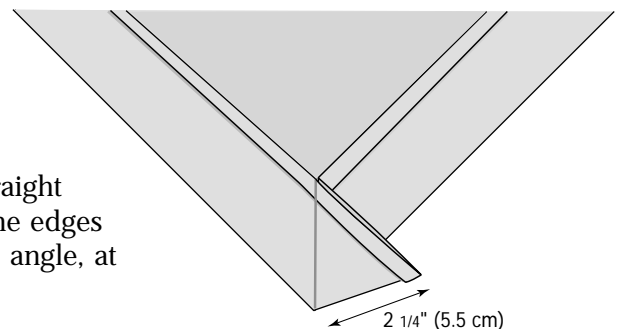


Illustration A.

Sew the corner diagonally on the marked line with straight stitch. Repeat for all four corners. Illustration B.

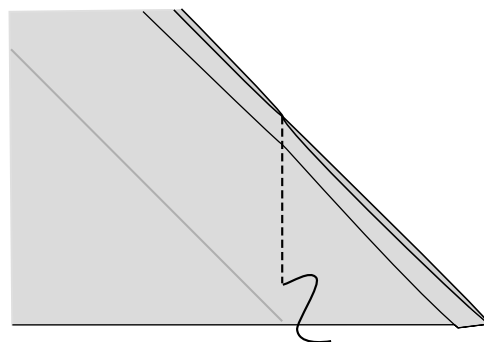


Illustration B.

Trim excess corner fabric to 1/4" (6 mm). Press seam allowances flat. Turn the corners right side out and press.

Place the print fabric on a flat surface, wrong side up. Center the velvet on top, right side up. Place the velvet under the print border and press for an even border. Pin all sides. Illustration C.

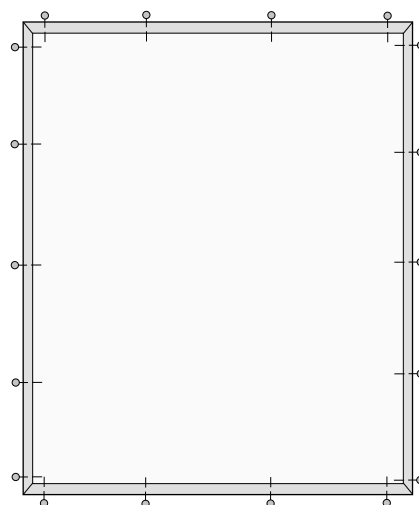


Illustration C.

Select straight stitch and snap on presser foot D or the optional Edge/Joining Foot. Use left needle position straight stitch and topstitch the border to the velvet. Illustration D.

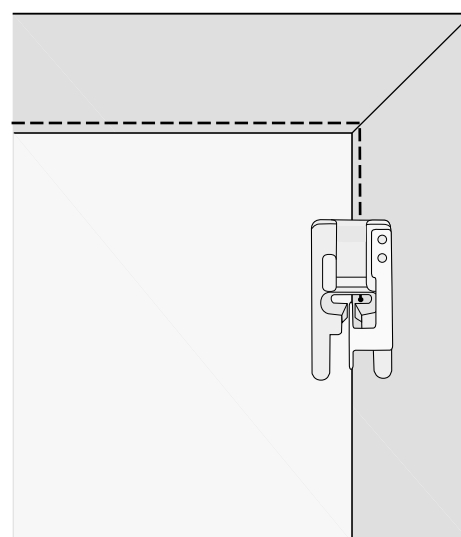


Illustration D.



 **Husqvarna**

VIKING