



Bottle Bag with Candlewicking Stitches



Sewing Supplies

- Husqvarna Viking Sewing Machine
- 2/3 yd. (55 cm) Thai silk fabric in red or green (fabric width at least 39 3/8" (1 m))
- Husqvarna Viking Tear Away stabilizer
- 28" (70 cm) ribbon
- Sewing thread
- Sulky 40 wt. Embroidery thread

Optional accessories:

- Candlewicking Foot (412 51 08-45)
- Seam ripper (412 41 10-01)
- Swarovski Crystals, for example (500000910)
- Decorative Touch Applicator (50000931)
- Clear 2-3 mm Embellishment Foot (413 03 04-45)

3/8" (1 cm) seam allowance included in measurements.

Cut

Cut a side piece 10 5/8" x 17" (27 x 43 cm), a circle 3.5" (9 cm) in diameter for bottom and a 2" (5 cm) wide and 39 3/8" (1 m) long strip for handle.

Mark vertical lines with 3/4" (2 cm) space, in various lengths from 5.5"- 10 5/8" (14 – 27 cm) on the side piece. (The first and last line 1 1/4" (3 cm) from the sides because of the seam allowance.)

Sew

Thread with embroidery thread on top and sewing thread in the bobbin. Snap on the Candlewicking Foot that is available as an extra accessory. (Read about the foot in the Accessory User's Guide). You can use other decorative stitches on your sewing machine if you don't have a Candlewicking Foot.) Place tear away stabilizer underneath the fabric and sew candlewicking stitches or other decorative stitches in green and red along the marked lines (Illustration A). Tear away the stabilizer.

Turn under 1/4" (6 mm) along the sides of the 39 3/8" (1 m) long strip. Fold double lengthwise. Press. Snap on presser foot D or the optional Edge Joining Foot. Select straight stitch and adjust needle position to the left. Topstitch the sides.

Pin the handle 3" – 3 1/4" (7.5 – 8 cm) from the side edges on the side piece. Select a decorative stitch and stitch in place from the bottom and 10" (25 cm) up (Illustration B).

Rethread with sewing thread on top and in the bobbin. Select zig zag. Snap on presser foot B and overcast the edges all around the piece. Select straight stitch and snap on presser foot A. Fold the piece right sides together. Sew the side seam. Press seam allowance flat open. Divide and mark the bottom piece and the side piece in four. Pin and sew the bottom piece right sides together with the tube matching marks. Turn the bottle bag right side out.

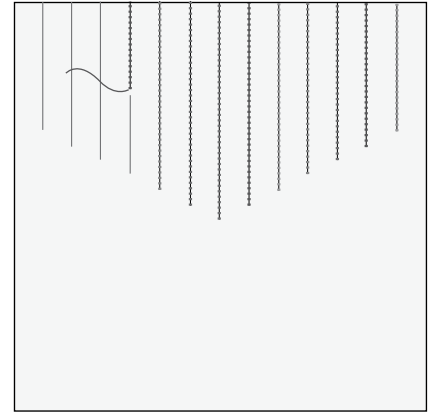


Illustration A

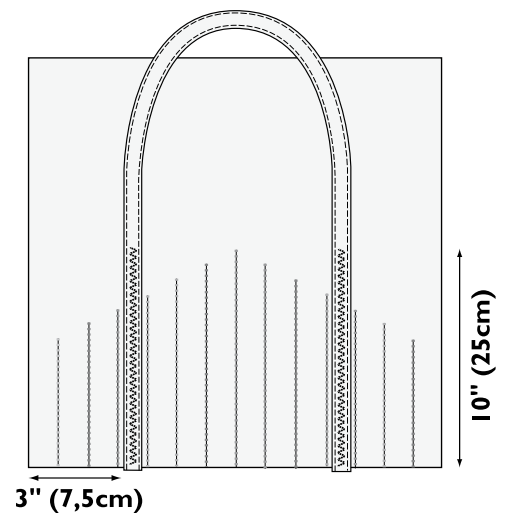


Illustration B

Fold under the upper edge 4" (10 cm) to the wrong side. Press. Sew 6 buttonholes 2" (5 cm) from the upper folded edge with 2" (5 cm) space. The first and last buttonhole 1" (2.5 cm) from the side. Use the Sensor Buttonhole Foot for even buttonholes in the same size. (Illustration C).

Use a seam ripper to cut up the buttonholes. Thread the ribbon through the buttonholes to tie up the bottle bag.

Tips and hints: The bottle bag looks extra luxurious and decorative with beautiful Swarovski crystals.

Use the Decorative Touch Applicator especially made for easy application onto the fabric. Another tip is to use the new Clear 2-3 mm Embellishment Foot. This foot helps you to sew an entire row of small pearls onto the fabric in no time!

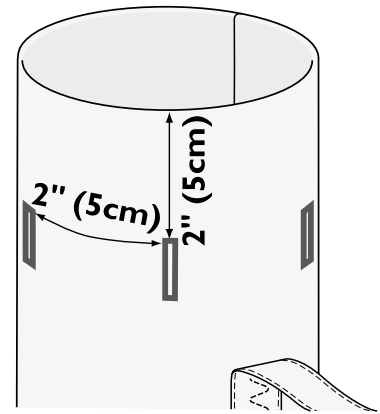


Illustration C



Husqvarna

VIKING