



Bakers Hat

Designed and created by Ingrid Seiborg

Time to bake some Christmas Cookies? Don't forget the hat! We made this hat for an adult, but measure the head of your child and/or your own head for a perfect fit.

Sewing Supplies

- Husqvarna Viking Sewing/Embroidery machine
- Husqvarna Viking Embroidery Collection 63, French Café by Agneta Mårs
- White Corduroy fabric, amount depending on the size of the head.
Ours will fit a head with 23 ¼" (59 cm) circumference:
1 piece for the top hat 20"x 20" (50 x 50 cm)
1 piece for the lower hat band 10"x 24" (25,5 x 61 cm)
- Sewing thread
- 40 wt. Embroidery thread
- Edge Stitching Foot (412 79 67-45)
- Tear-Away™ Stabilizer (141 00 05-43)
- Pictogram Pen (412 08 38-48)
- Embroidery Hoop 100 x 100 / 4"x 4" (412 52 74-01)

3/8" (1 cm) seam allowance included in all measurements.

Embroider

Fold the edge piece double to make a crease for the front of the hat. Unfold again. Select design no.14. Hoop the fabric with the stabilizer and embroider the design twice, centered on the front as illustrated (Illustration A).

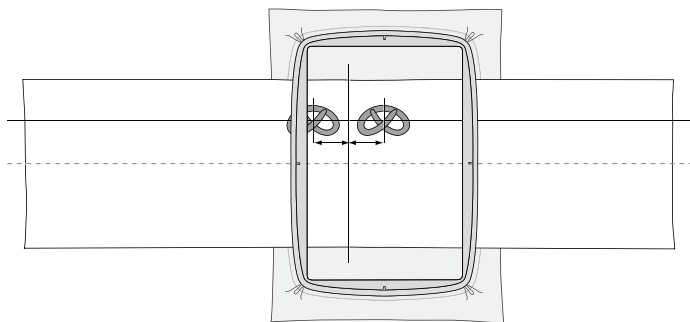


Illustration A

Cut

Cut a circle of the fabric piece for the top hat, 18" (45,5 cm) in diameter, as illustrated (Illustration B).

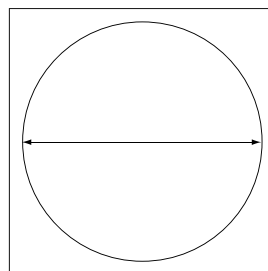


Illustration B

Sew

Fold the short edges right sides together on the hat band and sew with a straight stitch. Press seam open and turn right side out. Fold the hat band in half lengthwise (Illustration C).

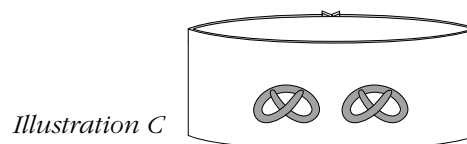


Illustration C

If you are a Huskylock owner, sew the hat band pieces together with 4-thread overlock. Also overlock around the circle piece, otherwise sew with a 3-step zigzag stitch.

Make 12 pleats in the circle to fit onto the hat band. Pin it onto the edge piece right sides together. Sew with a straight stitch (Illustration D).

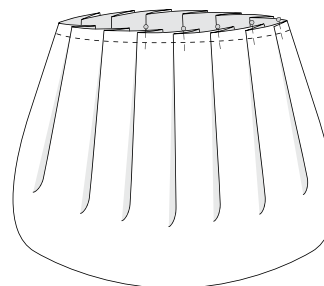


Illustration D

Turn right side out and snap on the Edge Stitching Foot. Select center needle position straight stitch, stitch length, 3.0. Topstitch the upper and lower edges of the band (Illustration E).

Put on your Bakers hat and turn on the oven. It's time to bake!

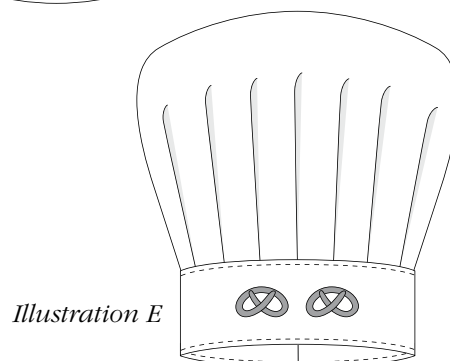


Illustration E

Combine with other designs from design collection 63, French Café and make a matching baking towel