



Cell Phone Case

Designed and created by Ingrid Seiborg

This personal Cell Phone Case is what every woman needs during the busy holiday season! With this Case it's fun to bring your Cell Phone!

Sewing Supplies

- Husqvarna Viking Sewing/ Embroidery Machine
- Husqvarna Viking Embroidery Collection 86, Lace Royale by Lena Holtzberg (412 88 24-01)
- Husqvarna Viking Embroidery Hoop 100 x 100 mm/ 4"x 4"
- 9"x 12" (23 x 30 cm) fabric for the Phone case
- 9"x 12" (23 x 30 cm) lining
- Sewing thread to match the fabric
- 40 wt. embroidery thread in assorted colors
- ¼" (6 mm) diameter Cord, 10" (25 cm) long or strung pearls for handle
- 9"x 12" (23 x 30 cm) Fusible interfacing
- ¼" (6 mm) Velcro
- Ultra Solvy Water soluble stabilizer
- Decorative Touch Applicator (50000931)
- Swarovski Crystals, we used clear crystals (500000929)

Cut

Measure your cell phone according to the illustration (Illustration A).

Note: Seam allowance is not included in the illustration. Add a 1/4" (6 mm) seam allowance to all pieces.

The measurements here fits a cell phone 4 1/2"x 8 1/2"yd. (12 x 22 cm) (A x B cm). We added 3/4" to 1" (2 – 2,5 cm) to the cell phone measurements. The finished case measures 5 1/2"x 9 1/2" (14 x 24 cm). Note, if your cellular phone has a different measurement, adjust the width and length measurements. Cut the pieces according to the cutting diagram (Illustration B).

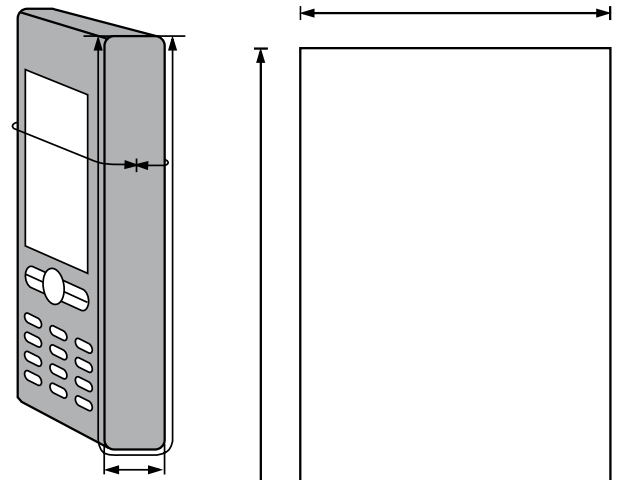


Illustration A

Embroider

Use the 100 x 100 mm/ 4"x 4" Embroidery Hoop. Hoop with the water soluble stabilizer. Select design number 3. Embroider. When the embroidery is finished, rinse in lukewarm water to remove the stabilizer, let dry. Set aside. It will be sewn to the cell phone case later.

Illustration B

Sew

The measurements of the fabric piece should be, with 3/4" (2 cm) seam allowance included, 7"x 10" (18 x 25 cm). Press fusible interfacing onto the fabric. Cut the lining the same size.

Fold the pieces right sides together matching the short ends and sew the two side seams. Do the same with the lining. Sew across the corners, (Illustration C).

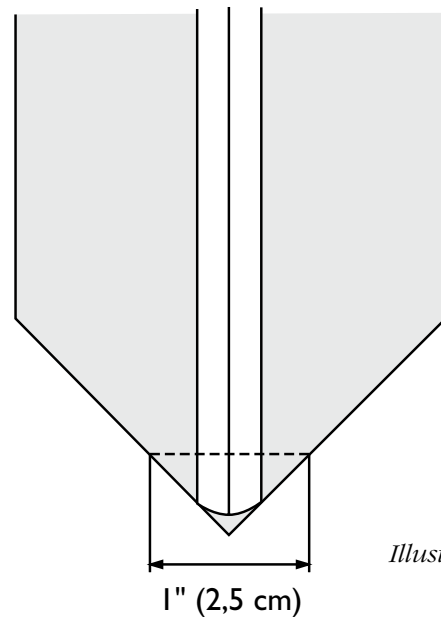


Illustration C

Press down the upper edges ¼" (6 mm). Put the lining inside the bag and the cord or pearls to the sides of the bag, between the fabric and the lining. Sew by hand with small stitches around the upper edge.

Sew the embroidered design to the upper edge on the back piece with a straight stitch (Illustration D).

Put a small piece of Velcro on the back side of the embroidery to close the bag.

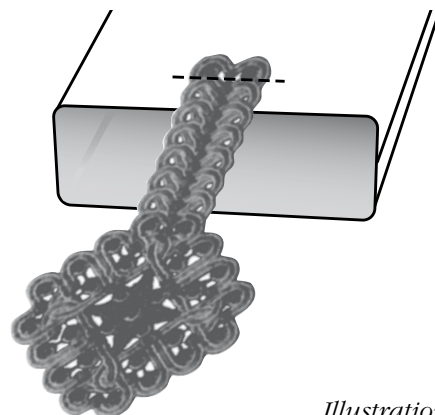


Illustration D

Tip: If you not are an Embroidery Machine owner, you can use a ribbon and a button to close the bag with. Take a 4" (10 cm) long ribbon and make a loop. Sew the loop onto the back of the bag. Sew the button in place near the upper edge (Illustration E).

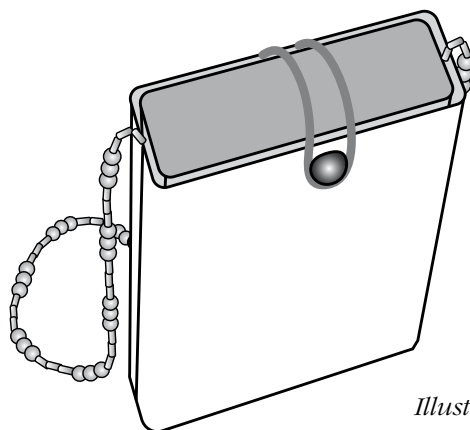


Illustration E

Decorate your personal Cellular Phone Case with beautiful Swarovski Crystals. Use the Decorative Touch Applicator for easy application onto the fabric.



Husqvarna

VIKING