

## Huskylock dress



### **Sewing Supplies**

- Husqvarna Viking Huskylock 901
- Husqvarna Viking Sewing machine
- 1 1/3 yd (120 cm) of white woven stretch fabric
- 1.5 yd (50 cm) of yellow woven fabric
- 1/3 yd (30 cm) of printed fabric
- Scrap of fusible interfacing for the belt flower
- Scrap of fusible web (Vliesofix, Steam A Seam or similar)
- 1 decorative button matching the fabrics
- 4 spools overlock thread
- Sewing thread
- Burda Pattern 9996
- Gathering Foot (412 34 73-45) (An optional accessory that you find at your local Husqvarna Viking Dealer)

Seam allowance is not included in this Burda Pattern so you have to add extra on all pattern pieces. Extend the length of the dress so it ends just below the knees or as desired. Do not add extra for the hem, just add the same seam allowance as for all the other sides.

## Cut & Sew

Trace the pattern pieces for View B on pattern paper and cut out. Place the pattern pieces on top of the white fabric and cut out. Thread your overlock machine and sew the left side seam on the dress with 4 thread overlock seam. Press the seam allowance towards the back. Place the dress on a flat surface. With a pictogram Pen, draw a half circle, 7" (18 cm) along the side seam on the left side, from the lower edge and up. Diameter 15" (37 cm).

Illustration A

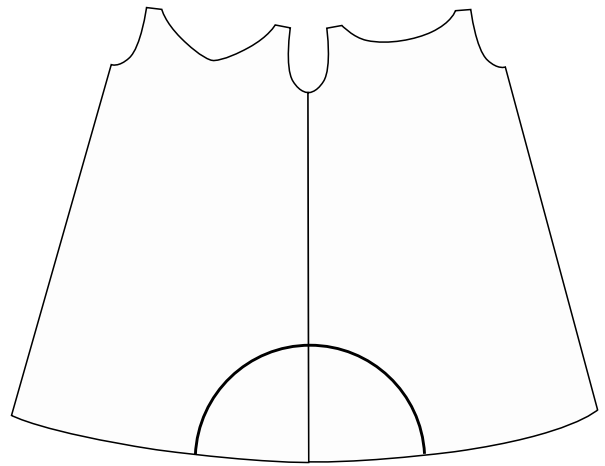


Illustration A.

Place the pattern paper on top of the markings and trace the pattern, adding  $\frac{3}{8}$ " (1 cm) seam allowance on the round side. Cut out one in yellow in yellow fabric. Cut small notches for center markings.

Trace the pattern piece for the petals on pattern paper and cut out (You will find that a  $\frac{3}{8}$ " (1 cm) seam allowance is included at the lower edge in this pattern piece). Cut 7 petals in printed fabric. You will find the pattern piece on the last page.

Thread your Huskylock for a four thread overlock with matching thread to the fabric. Set the stitch length on 3. Overcast the petals. Snap on presser foot A on your sewing machine. Thread with sewing thread to match the fabric on top and in the bobbin. Pin the petals in place on top of the white fabric with the seam allowance "inside" the pictogram markings on the dress. Straight stitch at the outer edge around all the petals to secure them to the dress.

Illustration B

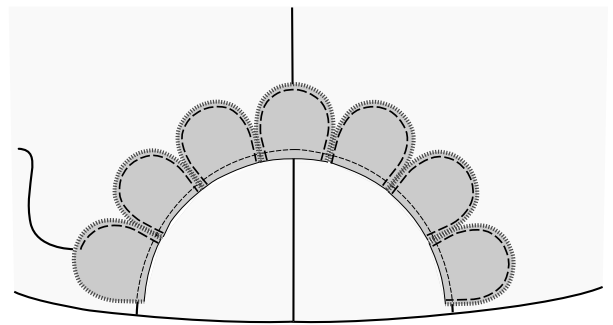


Illustration B.

Place the yellow half circle on top of the petals on the white fabric, right sides together. Pin one half at the time for easier sewing. Sew along the markings. Make sure to remove pins before sewing over them. Stop at the side seam and pin the rest of the half circle in place. Continue sewing.

Alternate Method:

Overlock with a 4 thread overlock seam all around the half circle. Snap on presserfoot B and sew it onto the dress with straight stitch on your sewing machine. If you choose this method you need to trim the seam allowance to  $\frac{1}{4}$ " (5 mm).

Illustration C

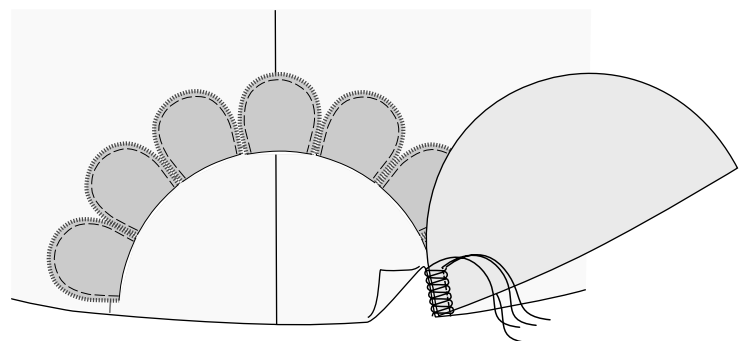


Illustration C

Cut in yellow fabric a 3.5" (9 cm) wide strip for frounce. You might have to join several strips to get the strip long enough. Sew them together end to end, to form one long strip. Set your Huskylock for 3 thread narrow overlock and sew along one of the long edges. From printed fabric cut a 2 7/8" (7 cm) wide strip for the second frounce. Repeat as above. Place the printed strip on top of the yellow strip so the right sides of the strips are facing upwards, edges aligned on one long side (this will be the frounce). Baste them together on your sewing machine, close to the edge. On your Huskylock, snap on the Gathering Foot and adjust the differential feed ratio to 2 and stitch length to 3 Practice on a scrap. Place them underneath the presser foot with right side up and insert the lower edge of the dress with the right side down in the opening of the Gathering Foot and flush with the frounce fabrics. Try on a scrap before you go ahead with the dress. Gather the frounce and attach to the dress at the same time.

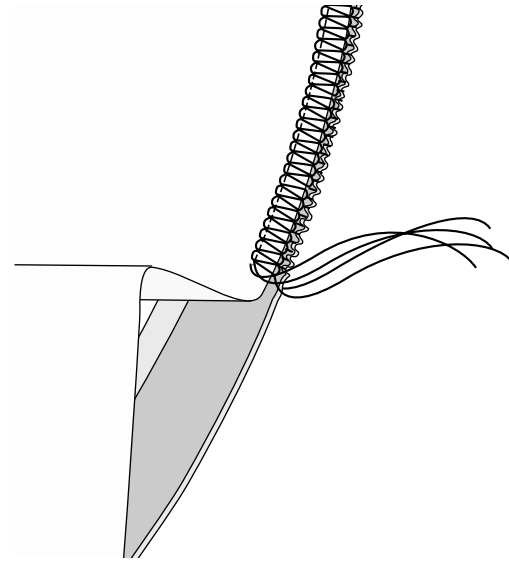


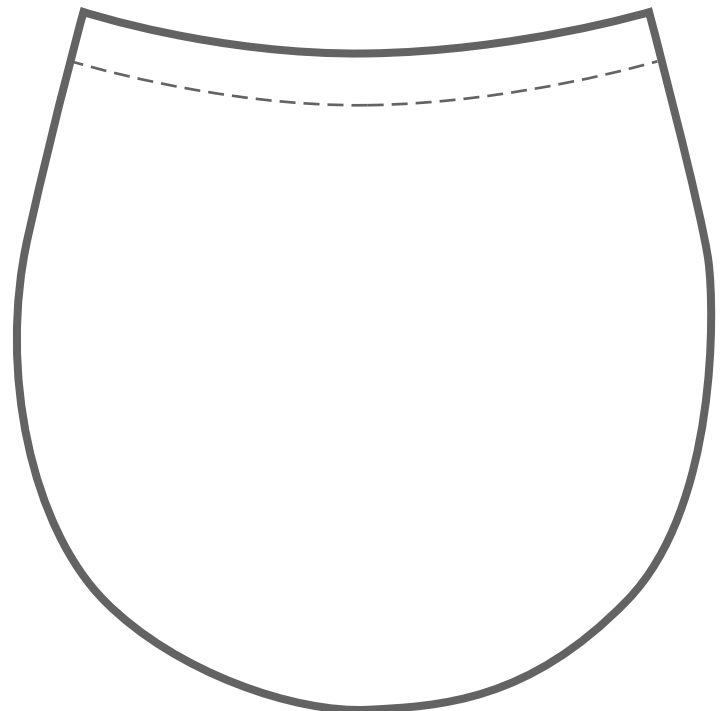
Illustration D

#### Illustration D

Snap on the S foot again and return the settings back to normal. Finish of the dress, (except for the hem) according to the pattern instructions.

Cut out of the yellow fabric a 1 1/4" (3 cm) wide strip long enough to go around the waist. Overlock the sides with 3 thread narrow overlock seam. Mark the center front by the waist with a pictogram pen. Place one end of the strip at the marking, pin all around the back and to the front. Cut the strip so the ends meet at the front marking. Thread your sewing machine with yellow sewing thread on top and white sewing thread in the bobbin. Straight stitch close to the edge on both sides of the strip.

Belt flower: Cut two flowers from fabric and two flowers from fusible interfacing. Press the fusible interfacing to the back of each fabric flower. You can overcast the flowers with a three thread overlock seam if you want to prevent the fabric from fraying. Cut out one flower from fusible web and fuse it to the back of one of the flowers. Remove the paper from the back of the fusible web and fuse the two flowers together, wrong sides together. Attach the flower to the front of the dress with a decorative button.



Petal Pattern



 **Husqvarna**

**VIKING**