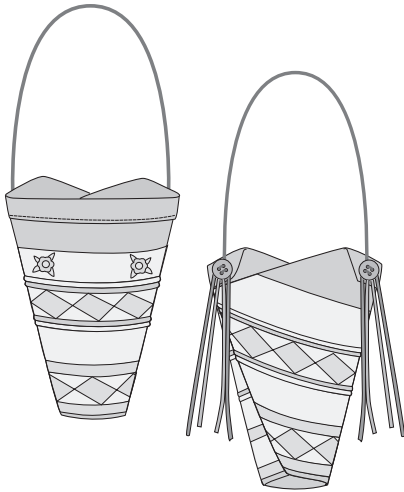


## Seminole-pieced Quilted Nosegay

Designed by Bonnie Colonna, USA



Finished size: 18" x 18" (45 x 45 cm).

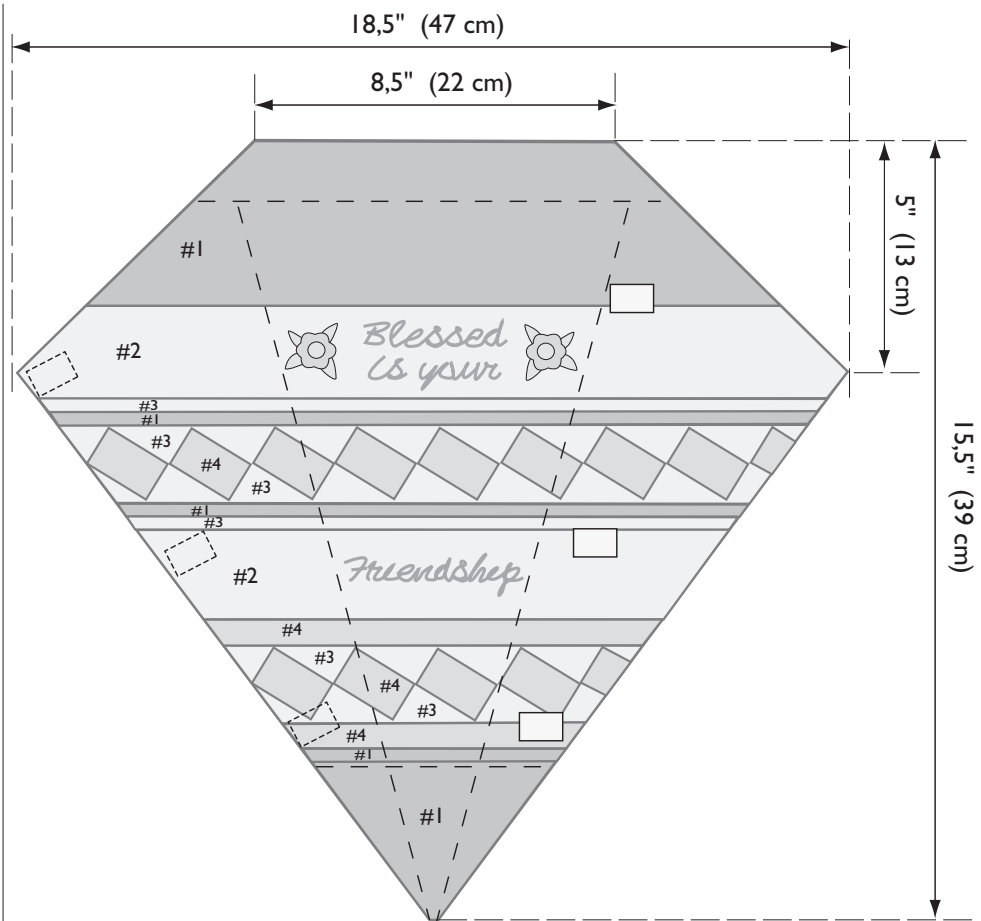


### Sewing Supplies

- 3/4 yd (70 cm) quilting cotton #1 (yellow/red with flower pattern)
- 1/8 yd (11.5 cm) quilting cotton #2 (beige with pattern)
- 1/4 yd (23 cm) quilting cotton #3 (beige with pattern)
- 1/8 yd (11.5 cm) quilting cotton #4 (yellow)
- 16" x 20" (40 x 51 cm) piece of batting
- 3 yd (2.76 m) of yarn/cord/threads to twist for the hanging cord
- 3 yd (2.76 m) of 1/8" (3 mm) wide ribbon for side bows or streamers
- Assorted colors of Sulky 40 wt. Embroidery thread
- 2 - 1" (2.5 cm) buttons
- 2 1/2 yd (2.30 m) of 1/4" (6 mm) cotton cording
- 1/4 yd (23 cm) Velcro
- Tear Away™ stabilizer
- Single Welt Cord Foot (412 62 70-45)
- Double Welt Cord Foot (412 62 71-45)
- Husqvarna Viking Embroidery card/disk/d-Card 28, Tyrolean
- Husqvarna Viking Customizing Embroidery System 5

### Optional:

- Husqvarna Viking Shape Cut Plus™ (412 66 10-01)



Seam allowances included with 1/4" (6 mm) in all measurements.

### CUT

#### Cut in #1 (yellow/red with flower pattern):

- 2 strips, 4 1/2" x 20" (11 x 51 cm)
- 3 strips, 1 3/4" x 45" (4.5 x 51 cm) for cording.

#### Cut in #2 (beige with pattern):

- 2 strips, 2 1/4" x 45" (5.5 x 51 cm).

#### Cut in #3 (beige with pattern):

- 2 strips, 1 3/4" x 45" (4.5 x 51 cm) for cording
- 2 strips 2 1/4" x 45" (5.5 x 114.5 cm) for Seminole piecing.

#### Cut in #4 (yellow):

- 1 strip, 1 3/4" x 45" (4.5 x 114.5 cm) for Seminole piecing
- 2 strips, 1" x 45" (2.5 x 51 cm).

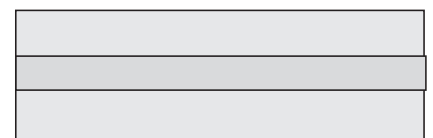
5 pieces of cotton cording, 20" (51 cm).

### SEW

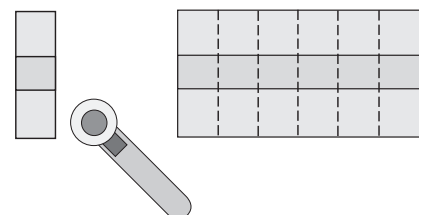
#### SEMINOLE-PIECED BAND

To make the Seminole strip:

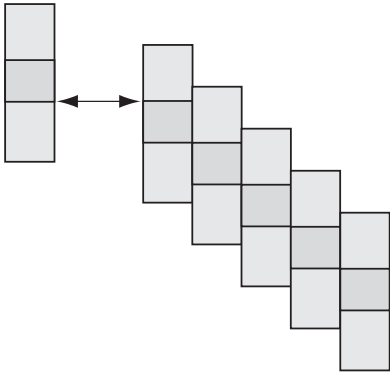
Sew the #3 - 2 1/4" (5.5 cm), #4 - 1 3/4" (4.5 cm), #3 - 2 1/4" (5.5 cm) strips together lengthwise with straight stitch and 1/4" (6 mm) seam allowance. Use the P Foot for a 1/4" (6 mm) seam allowance or the A Foot and Stitch E01 (on Designer I).



Press all the seam allowances in the same direction. Use the Husqvarna Viking Shape Cut Plus (1/2") to quickly cut the Seminole strip into 1 1/2" (4 cm) pieces. Align the 1 1/2" (4 cm) pieces, right side together, offset by one block and sew back together.

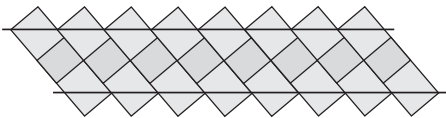


Reverse the pieces end to end, so that the seam allowances are going in opposite directions.

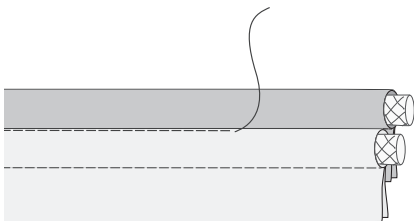


This way you can lock the seams and sew with more accuracy. To speed up the piecing, sew all the pieces together, and then press all seams open when sewing is complete.

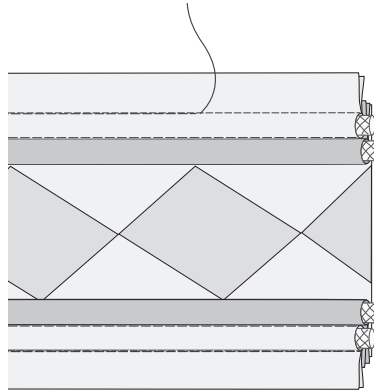
Mark the lines for trimming with your Pictogram pen. Trim off the jagged edges with the rotary cutter. Your pieced strips should measure 1 1/2" (4 cm) wide by 20" (51 cm) for the upper Seminole band and the same for the lower band. You need to piece all the 1 1/2" (4 cm) segments in order to have enough for both upper and lower Seminole bands.



Select center needle position straight stitch. Snap on the Single Welt Cord Foot from the Home Dec Kit to make cording from the 1 3/4" (4.5 cm) strips of fabric #1 and #3. Use the Double Welt Cord Foot to join cording #1 and #3. Lay #3 on top of #1, keep the needle in the center position and stitch between cords catching the edge of the right cord and sewing through all layers. Use a rayon thread in the needle that matches the #3 fabric.

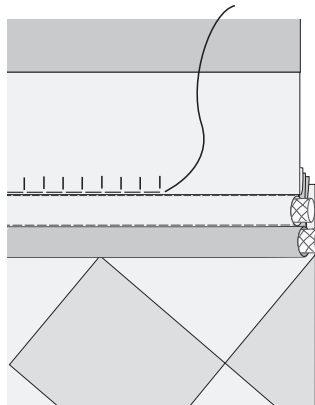


Lay the wrong side of the double welt cording strips to the right side of one of the Seminole pieced strips along both straight sides. Use the Single Welt Cord Foot to stitch the cording to the Seminole piecing. Let fabric #3 cord ride in the cording groove and stitch on top of previous cording stitch, just catching the Seminole band underneath.



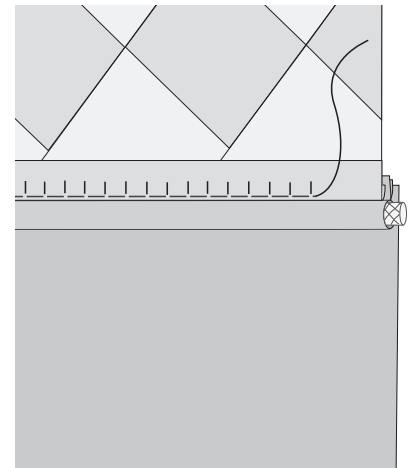
Begin to sew the strips together starting from the top of the nosegay (refer to Diagram). Sew 4 1/2" (11 cm) strip fabric #1 to the 2 1/2" (5.5 cm) strip of #2 fabric right sides together using the P foot.

Press 1/4" (6 mm) along the raw edge of #2 to the wrong side. Place this strip wrong side down to right side of the cording on Seminole band. The 1/4" (6 mm) fold under should just butt up against the outside edge of the cording. Use the zipper (E) Foot and left needle position to stitch the #1/#2 strip to the double welt corded Seminole strip. Place tear away stabilizer underneath. Stitch with rayon thread in the needle, using a heirloom stitch, (D06 on Designer D), length 4.5 and width 3.0. Repeat this process with the other 2 1/4" (5.5 cm) strip of fabric #2 along the other side of the Seminole strip.



Using the P foot sew the 1" (2.5 cm) strips of #4 to either edge of the remaining Seminole pieced strip. Then sew this band to the bottom edge of #2 with right sides together.

Attach a single welt cord from #1 fabric to the bottom of the second Seminole strip. Use the same method as described above (turn under 1/4" (6 mm) of bottom edge of 1" (2.5 cm) strip of fabric #4, butt against single welt cord and stitch with a quilting stitch, D06 on Designer I etc.). This cord is the fold line for the bottom point of nosegay and helps to shape the bottom of the nosegay. As you stitch the cord to the second Seminole strip, lay the last 4 1/2" piece in fabric #1 underneath to attach all in one step.



Cut out the completed pieced panel from the nosegay pattern. See the diagram for size and measurements. Cut in this size and shape one piece in lining (in the same fabric as #1) and one in batting.

Layer the pieced panel and lining right sides together with the batting piece on the bottom and stitch around the entire outside edge of the nosegay shape with a 1/4" (6 mm) seam allowance. Leave a 4" (10 cm) opening for turning. Turn nosegay right side out. Turn raw edges of opening to the inside. Snap on presser foot D, select left needle position straight stitch and topstitch opening closed.

Select a quilting stitch, (we selected E3 on Designer D) to quilt and embellish the nosegay.

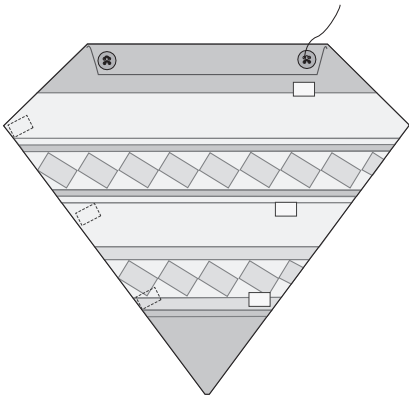
The message "Blessed is your Friendship" was customized using the Font *Brush*, 13 mm height in the Lettering part of Customizing Pro. Print out your customized verse. Trace

onto the 100 x 100 template plastic with template pencil. Carefully position the embroidery down the center of the nosegay, along the 2 1/4" (5.5 cm) strips of #2 fabric. Hoop the 100 x 100 hoop with tear away stabilizer. Touch Fix and Start to baste the nosegay in the hoop. As well as fixing the project to the hoop, basting allows you to check your embroidery placement. A single flower from Disk 28 was also added in customizing on either side of the verse.

Cut Velcro tabs and sew by machine in the places indicated in diagram. Fold nosegay first into the appropriate shape to recheck proper placement of Velcro tabs. Sew the soft side of the Velcro onto the right side of the nosegay and the matching Velcro to the wrong side or lining side.

Twist or braid your cords for hanging.

Remove presser foot and lower the feed teeth. Select button sewing. Fold down a 1" (2.5 cm) cuff at the top of the nosegay, machine sew 1" (2.5 cm) buttons on either side of cuff.



Fold and velcro the nosegay into the cone shape. Loop your twisted cord over the buttons. Cut ribbon streamers and slip behind buttons.

Hang the nosegay on the wall to arrange your flowers.

Additional ideas: The fabric nosegay can also be made in seasonal fabrics with Merry Christmas, Happy Valentine's Day etc messages customized on the front with supporting embroideries or make the nosegay from whole cloth and center a large embroidery on the front. Press fusible vinyl on the wrong side to waterproof your nosegay for fresh flowers.