

# Recipe Book



## **Sewing Supplies**

- Husqvarna Viking Designer I
- Cotton or linen fabric in two contrasting colors
- Notebook
- Sulky 40 wt. Embroidery thread
- Husqvarna Viking Tear A-Way™ stabilizer
- Adhesive spray or glue
- Husqvarna Viking disk 127, Kitchen & Garden by Margit Grimm, Design 2

### **CUT**

Measure the width and height of your closed notebook. Add 3/4" (2 cm) to the width (seam allowance for sewing the two contrasting pieces together) and 1 3/4" (4 cm) for folding around the sides to this measurement.

Cut 1 piece 1/4 of the width x height in one fabric color and 1 piece 3/4 the width x height in a contrasting fabric color.

Illustration A.

Use presser foot A and select center needle position straight stitch A2. Place the pieces right sides together and sew a seam. Illustration B.

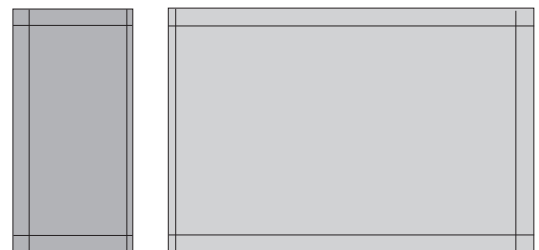


Illustration A.



Illustration B.

## EMBROIDER

Select design 2 from disk 127. Mark out the starting point, 3/4" (2 cm) to the right of the seam as illustrated. Hoop with tear away stabilizer underneath and embroider the design. Illustration C.

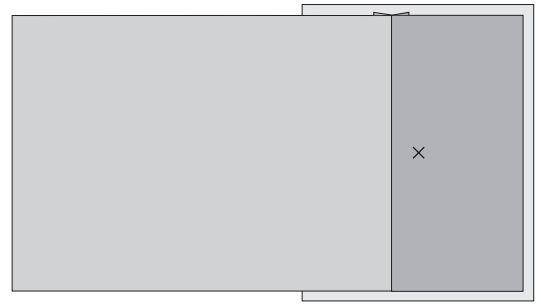


Illustration C.

Place the book open on the fabric and mark all around the sides with a pictogram pen. Cut small flaps for the book spine and glue them to the inside. Illustration D.

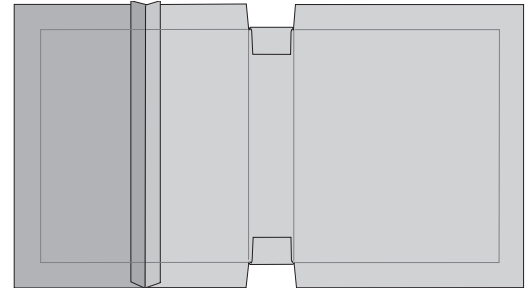


Illustration D.

Spray adhesive spray on the front side of the book. Be careful so you will not have any glue spots and that the glue is sprayed evenly all over. Align the edges with the marks on the fabric and glue it to the book. Repeat for back side. Glue the extending fabric to the inside of the book cover. Illustration E.

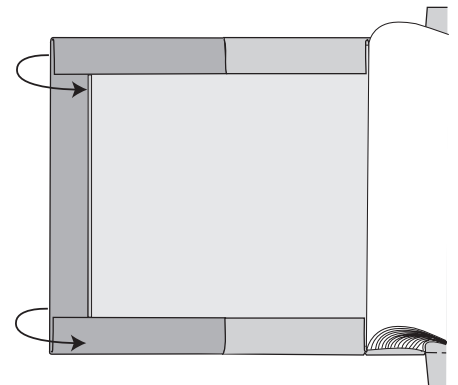


Illustration E.

Finally, spray glue to the inside of the book cover and glue the first and last page in the book over the folded edges.



 **Husqvarna**

**VIKING**