

## Mini Bags

*These small bags are easy to make and useful for all small sewing stuff. Thread cones, buttons, needles, notions. We have decorated them with cat embroideries from Husqvarna Viking card/disk/d-Card 29 but you can use any embroidery that you like from the wide range of Husqvarna Viking embroidery designs. Sew several bags at the time. Just for the fun of it!!*



### **Sewing Supplies**

- Cotton for outer bag piece, 1 piece 17 3/8" x 9" (44 x 23 cm)
- Vinyl fabric, 1 piece 17 3/8" x 9 3/8" (44 x 24 cm) for lining and small scrap for cat appliqué
- Sewing thread
- Sulky rayon embroidery thread
- Husqvarna Viking Embroidery card/disk/d-Card 29, Circus by Madelon van Velthoven

### *Optional:*

- Edge/Joining Foot (412 28 02-45)

3/8" (1 cm) seam allowance included on all sides.

### CUT

Cut the pieces according to above measurements.

Fold the cotton piece double to make a foldmark for front and back of the bag. Unfold again. Select an embroidery for the 100 x 100 hoop and embroider the design centered on one side of the fold mark as illustrated. Illustration A.

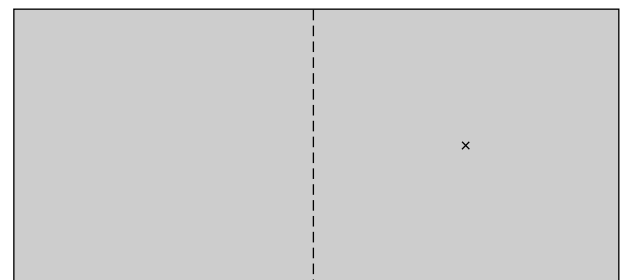


Illustration A.

Fold the piece right sides together in the fold mark and sew the side and bottom seam. Illustration B.

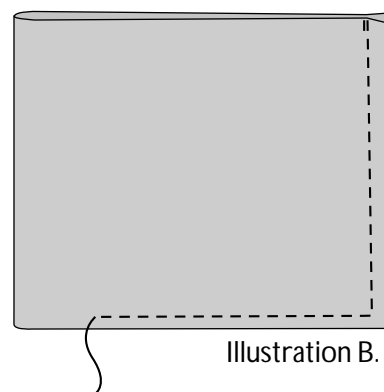


Illustration B.

Make a 3 1/4" (8 cm) wide bottom of the bag, by folding the bottom seam against the side seam. Mark for a seam 1 5/8" (4 cm) from the tip as illustrated. Repeat for the opposite side. Sew across the tip in the marked line. Illustration C.

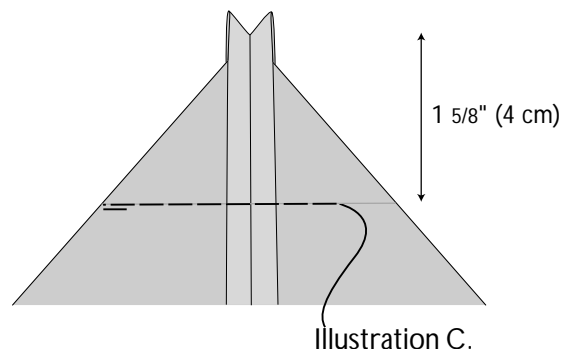


Illustration C.

Sew the lining bag in the same way but leave a 2" (5 cm) wide opening centered in the bottom seam.

Place the outer bag in the lining bag right sides together and line up the upper edges. Pin and sew around the edge. Illustration D.

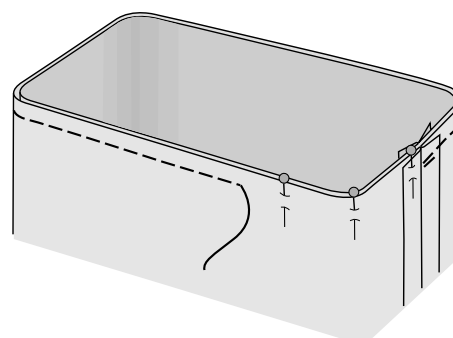


Illustration D.

Pull the outer bag through the bottom opening of the lining. Snap on presser foot D. With center needle position straight stitch, topstitch the bottom opening in the lining closed.

Put the lining in the outer bag. Press the upper edge so the lining is visible approx. 1/4" (4 mm) above the seam.

Snap on the optional Edge/Joining Foot. Select center needle position straight stitch and stitch in the seam to hold the lining in place. Illustration E. Turn down the top to form a cuff for the bag.

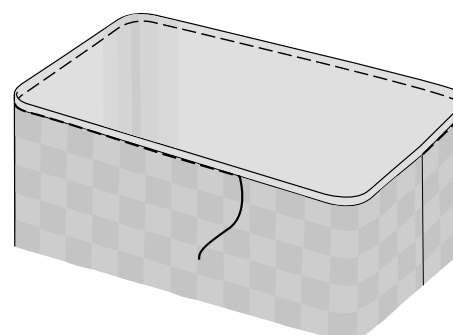


Illustration E.



 **Husqvarna**

**VIKING**