

Childrens Fleece Hat

Designed and created by Lena Mattsson & Katarina Åstrand



Sewing Supplies

- *Husqvarna Viking Scandinavia 100*
- *½ yd. (50 cm) of white fleece fabric*
- *Sewing thread, white, turquoise and red*
- *Scraps of fake suede in red and turquoise*
- *1 button*

Husqvarna Viking Accessories

Pictogram Pen (412 08 38-48)

Rotary Cutter (415 16 42-01)

Husqvarna Viking Cutting Mat (412 66 12-01)

Husqvarna Viking Grid Marker (412 66 18-01)

Cut

To make a pattern, measure the circumference of the head. Divide this measurement by 8 and you get the width for 8 hat pieces. Determine the height of the hat and add about 3" - 4" (7.5 cm - 10 cm) for tassel. This will give you the height of the hat pieces. Add ¼" (6 mm) for seam allowance on all sides except for the upper short side. Cut eight pieces from these measurements.

Illustration A



Illustration A.

Cut a piece 9 ½" (24 cm) high x the head circumference, from fleece for the double folded hem band at the lower edge of the hat. Add ¼" (6 mm) seam allowance on all sides.

Mark a line from one long side to the other on each hat piece 3" - 4" (7.5 - 10 cm) from the end where the tassel is going to start.

Use the Grid Marker and the Rotary Cutter to create the fringes.

Illustration B

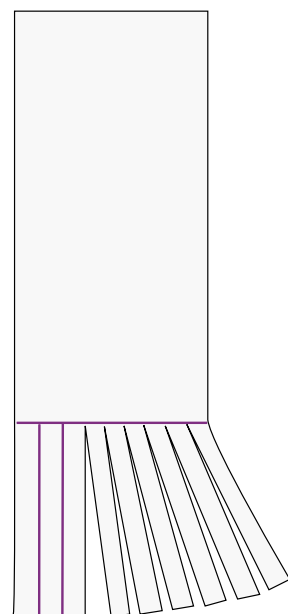


Illustration B.

Thread your sewing machine with sewing thread on top and in the bobbin. Snap on presser foot B and select reinforced zigzag or a narrow zig zag. Sew the long edges of the hat pieces together, wrong sides together. Trim the seam allowances next to the stitching.

Illustration C

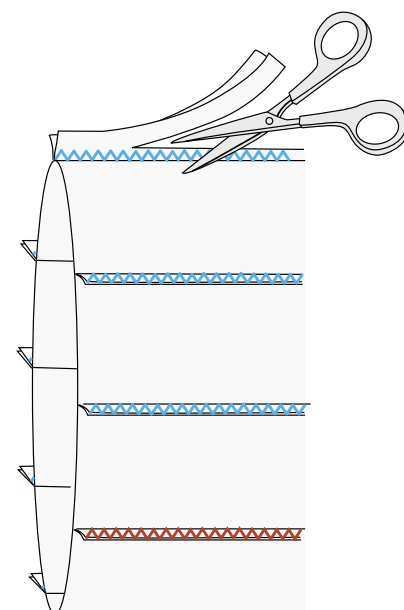


Illustration C.

Select seam/overcast for stretch fabrics. Sew the short sides together on the hem band, right sides together. Fold the piece wrong sides together, and sew it to the lower edge of the hat. Fold up as much of the hem as you like.

Illustration D

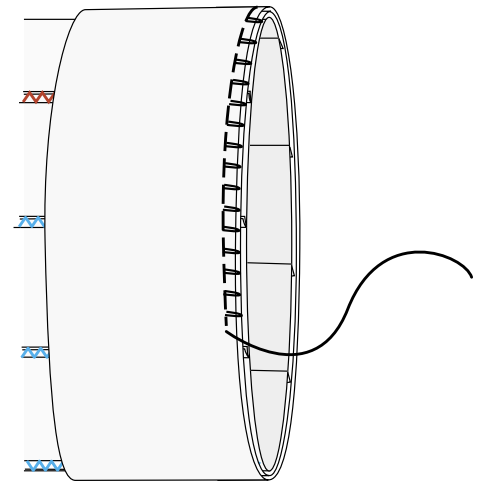


Illustration D.

Cut a narrow strip from fleece fabric and tie a knot around the fringes to create a tassel.

Illustration E

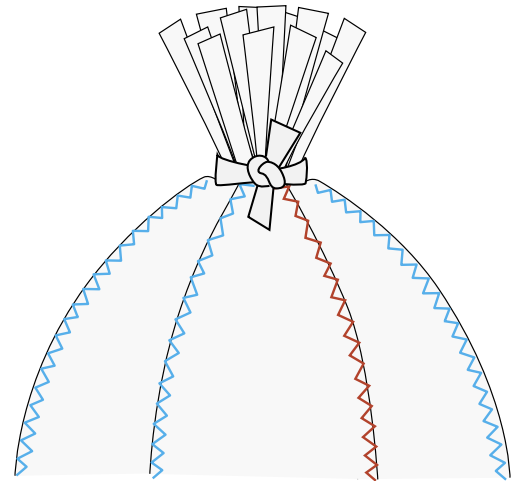
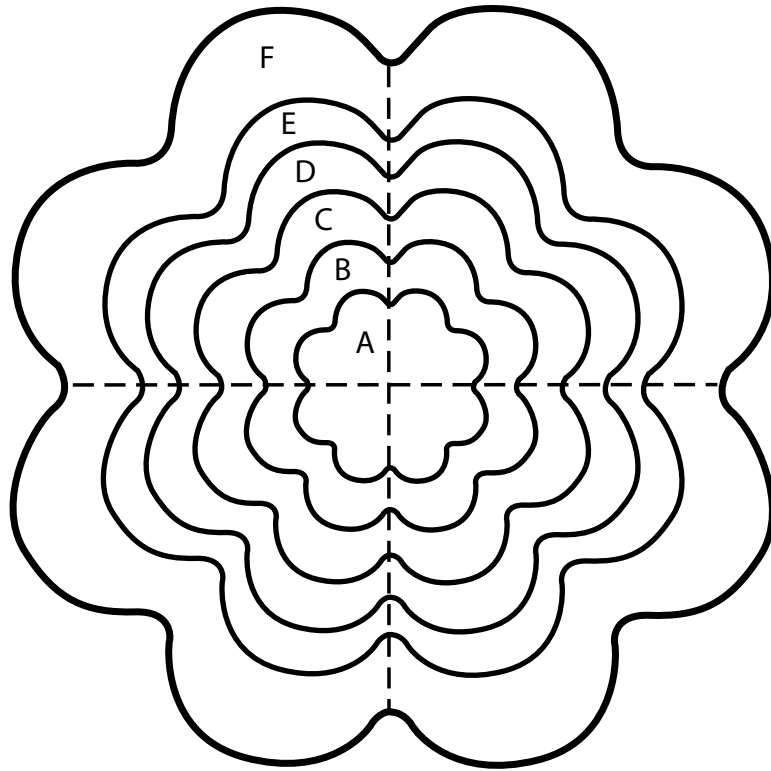


Illustration E.

Cut out a flower from the turquoise suede and a second flower a bit smaller from the red suede. Remove the presser foot, lower the feed teeth and select zigzag. (You might have to adjust the stitch width to fit the holes in the button.) Place the red flower on the turquoise with the button on top. Attach centered to the folded hem.



Pattern for the flower



 **Husqvarna**

VIKING