

Thai silk Top with Pearls



Sewing Supplies

- Husqvarna Viking Huskylock 936
- Husqvarna Viking Sewing machine
- 1 1/3" yd. (1.20 m) of 59" (150 cm) wide thai silk fabric
- 2 1/4" yd. (2 m) string of 1/4" pearls
- 1 zipper 8" (20 cm) long
- 4 cones of overlock thread
- Sewing thread
- Burda pattern 8809 for top

Optional Huskylock Feet:

Huskylock Pearl Foot (21 41 00 2-501)

Huskylock Gathering Foot (21 41 00 2-502)

Bias Tape Binding Foot (412 67 15-45) (also available in the Huskylock 935 Cover Stitch Kit (412 67 16-01))

You can buy the optional Huskylock feet at your nearest Husqvarna Viking Dealer. The Accessory User's Guide includes complete instructions on how to use the feet. The instructions are also available on our website under "Accessories/Huskylock/Feet. Hint: Always try the techniques on a scrap of fabric first to make correct settings for a perfect result.

Cut

Cut out the pattern for the top in desired size. Cut front and back pieces from fabric. Cut 1 1/4" (3 cm) wide strips on the bias for neckline and armholes. Cut a 1 5/8" (4 cm) wide strip for lower edge. Cut one 1 5/8" (4 cm) wide strip for ruffle, double the length of the circumference of the front & back piece lower edge.

Sew

Select 4-thread Overlock stitch. Overcast all pieces on all sides except for the ruffle strip.

Select 3-thread Narrow Edge Stitch. Sew along one edge of the ruffle strip.

Select straight stitch 2.5 on your sewing machine. Snap on presser foot A. Sew front and back darts of the top. Press front darts downwards and back darts toward each other.

Pin and sew back pieces right sides together. Pin and sew shoulder seams. Press seam allowances flat open.

Sew the side seams but leave a 8" (20 cm) long opening for the zipper on the left side of the top.

To gather the fabric for the little flounce, use the optional Gathering Foot for your Huskylock 936. Place the wrong side of the ruffle with the right side of the top together and sew the ruffle in place.

Cover the raw lower edge with a bias binding. Fold the long edges of the 1 5/8" (4 cm) wide strip toward each other and then in half. Press. Insert the lower edge with the flounce in the binding strip and topstitch in place.

Illustration A

Pin the bias strips with the neckline right sides together. Sew with 1/4" (6 mm) seam allowance straight stitch on your sewing machine. Trim the seam allowances on the curves and press the strips to the inside. Topstitch in place. Repeat for the armhole openings.

Illustration B

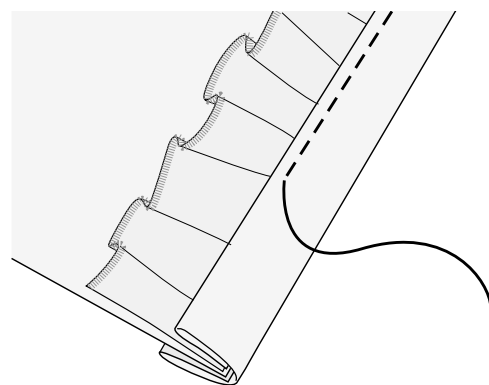


Illustration A.

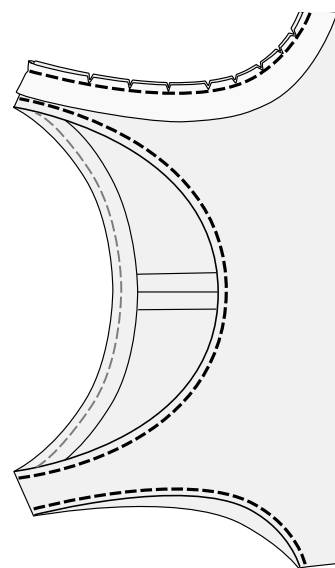


Illustration B.

Attach a string of pearls along the neckline with the optional Pearl Foot. This foot smoothly guides the pearls through the channel under the foot. Stop 2" (5 cm) before the pearls meet, cut the end exactly where the pearls meet and sew over the ends to fix the seam. Repeat for the lower edge. Leave a string of threads to tie the pearl seam by hand or in the zipper seam.

Illustration C

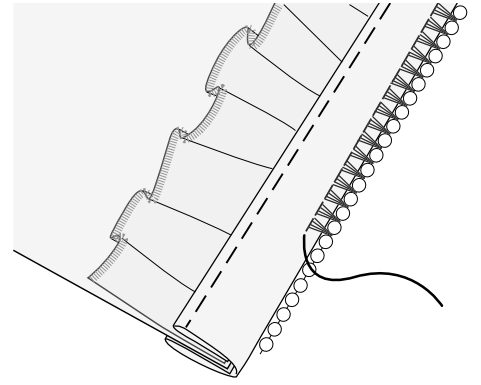


Illustration C.

To finish, snap on the Zipper Foot on your sewing machine. Fold the seam allowances of the open side seam to the inside. Pin the zipper in place so the zipper opens from down and up. Stitch the zipper in place.



 **Husqvarna**

VIKING