

“NEW” Left Edge Topstitch Foot

#920055096

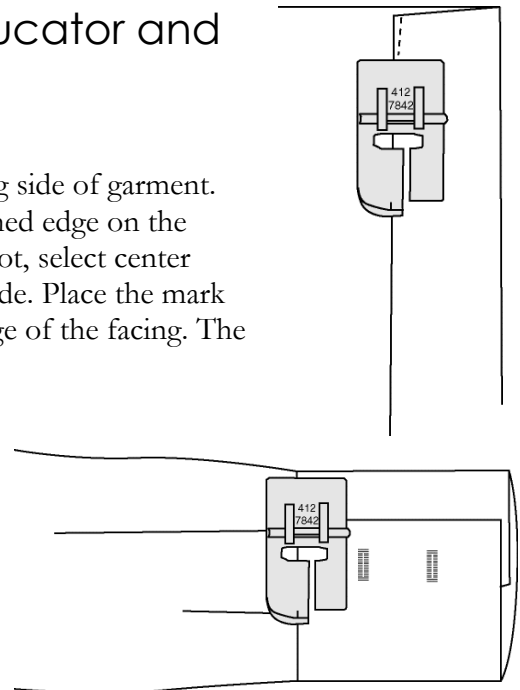
Snap on the Left Edge Topstitch Accessory foot to edgestitch and topstitch in garment construction and bindings so the bulk of the fabric is to the left of the needle. The underside of this foot features a higher edge on the right side so the thicker edge (binding, collar, cuff, pocket, etc.) is on the right as you sew. This is especially nice for cuffs and other small areas when you sew using the free arm. The red guide marks the edge of the groove on the underside of the foot so the edge you are topstitching feeds straight in the groove. The 25 needle positions on your Husqvarna Viking let you stitch as close to the edge as you desire. Perfect topstitching and edgestitching every time.

1. Thread with desired thread top and bobbin.
2. Snap on Left Edge Topstitch foot.
3. Select straight stitch. Stitch Length 3.0-4.0 is recommended for topstitching.
4. Place garment or quilt under the foot with the red guide mark at the exact edge of the binding, pocket, cuff, etc.
5. Adjust needle position (with the width adjustment on your Husqvarna Viking) to exactly the distance from the edge of your binding, pocket, cuff, etc. that you desire.
6. Stitch. The Left Edge Topstitch Foot will guide the edge of the fabric.

Tips from Louise Cutting, Sewing Educator and Husqvarna Viking Dealer:

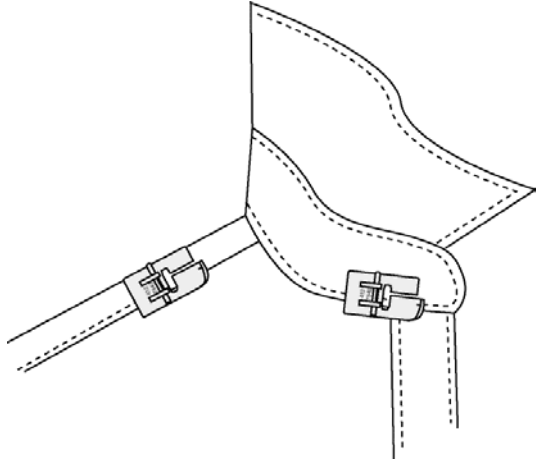
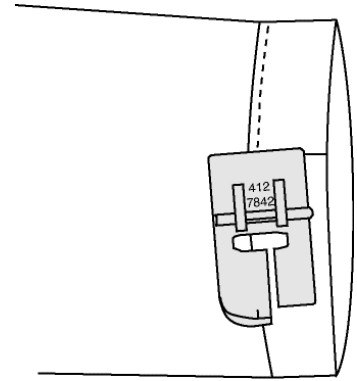
Long front facing: Turn facing to the wrong side of garment. Place a ¼” strip of Steam a Seam under the clean finished edge on the wrong side and press. Snap on Left Edge Topstitch Foot, select center needle straight stitch and edge stitch from the wrong side. Place the mark on the “toe” of the Left Edge Topstitch foot at the edge of the facing. The bulk of the fabric is to the left.

Cuff: Slide the cuff onto the free arm. Snap on Left Edge Topstitch Foot, select center needle straight stitch and edge stitch from the right side. Place the mark on the “toe” of the Left Edge Topstitch foot at the edge of the cuff. The bulk of the fabric is to the left.



Small sleeve hem or pant hem topstitched by machine:

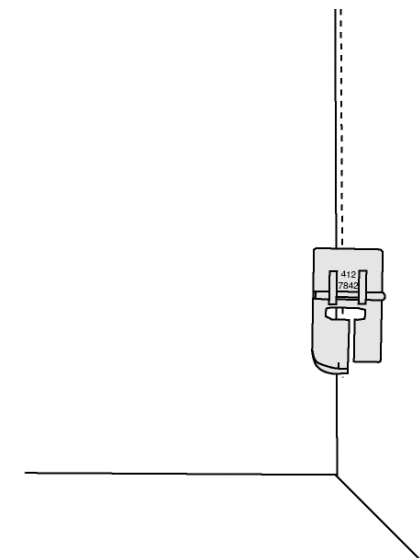
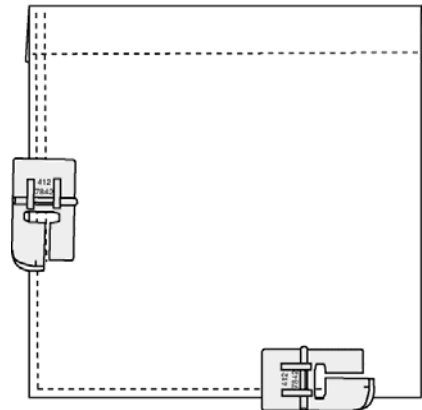
Press up hem. Turn garment wrong side out and slide on free arm. Snap on Left Edge Topstitch Foot, select center needle straight stitch and edge stitch. Place the mark on the “toe” of the Left Edge Topstitch foot at the edge of the hem. The bulk of the garment is to the left.



Yoke/collar edgestitch:

Stitch on the yoke shoulder and back. Snap on Left Edge Topstitch Foot, select center needle straight stitch and edge stitch from the right side. Place the mark on the “toe” of the Left Edge Topstitch foot at the edge of the yoke. The bulk of the fabric is to the left.

Pocket edgestitch: Place pocket under presser foot with the left edge of the pocket at the groove on the underside of the foot. Stitch with straight stitch center needle position. Stitch again as before, with needle position moved to right needle position. Perfect parallel edge stitching and topstitching.



Mitered Corners: Place Steam-A-Seam under the clean finished edge. Snap on Left Edge Topstitch Foot, select center needle straight stitch and edge stitch. Place the mark on the “toe” of the Left Edge Topstitch foot at the edge of the mitered corner edge. The bulk of the fabric is to the left.

