



## Weekend bag



### **Sewing Supplies**

- Husqvarna Viking Sewing machine
- 7/8 yd (80 cm) fabric backed upholstery vinyl 52" (130 cm) wide
- Scraps of leather and faux leather in various colors for flowers
- 1 yd (90 cm) cord, size 1/4" (6 mm)
- 20" (50 cm) separating zipper
- 2 snaps
- Sewing thread
- Heavy wt. sewing thread (topstitching thread)
- 30 wt. Embroidery thread for flowers
- Denim Needle
- Glide plates (412 34 66-45)
- Non-stick Glide Foot H (412 79 61-45)
- Open Toe Stippling Foot
- Tape

5/8" (1.5 cm) seam allowance included in all measurements. We have cut the bag with the upholstery side as outside and the handles with the vinyl as the outside.

### **Cut**

- 2 pieces 13" x 19" (33 x 48 cm) for front and back pieces
- 1 piece 11" x 36" (28 x 91 cm) for bottom and sides
- 2 pieces 1 3/4" x 38 1/4" (4 x 97 cm) for handles
- 1 piece 8 1/2" x 9 1/2" (22 x 24 cm) for outer pocket
- 1 piece 7" x 7 1/2" (18 x 19 cm) for inside pocket
- 1 piece 17 3/8" x 21 1/4" (44 x 54 cm) for bottom plate
- 1 piece 1 3/8" x 3 1/2" (3.5 x 9 cm) for zipper holder
- Cardboard 10" x 16 5/8" (25 x 42 cm) for bottom plate.

### HINT FOR STITCHING HEAVIER FABRICS

If your Husqvarna Viking sewing machine has a Sewing Advisor, select woven heavy for heavier fabric types or vinyl/leather when stitching in plastic, vinyl, faux leather or real leather. Touch seam. Thread with a heavier sewing thread on top and regular sewing thread in the bobbin. Use a denim needle or a topstitching needle that has a larger eye when using topstitching thread, which is heavier than a regular sewing thread. On other machine models, select straight stitch, stitch length 3.5 for topstitching and 3.0 for regular seams.

### SEW

#### OUTER POCKET

Trace the flower patterns onto paper and cut out. Cut flowers in various shapes in leather and faux leather.

Attach the Open Toe Stippling Foot. Use embroidery thread on top and sewing thread in the bobbin. Lower the feed teeth. Set up your sewing machine for free motion stippling. On Designers select V1, on other models select straight stitch. Arrange the flowers on the pocket. Hold in place with glue stick. Arrange some of them double, and stitch them in place with free motion stitches. Illustration A.

Snap on the Non-Stick Foot. Rethread with topstitching thread on top. Select center needle position straight stitch 3.5. Fold under the seam allowances of the outer pocket, inner pocket, the shorter sides of the side piece and on one of the long sides of the front and back piece. Topstitch to the outside (fabric side). Illustration B.

To make the handles, cut the cord in half. Fold the  $1\frac{3}{4}'' \times 38\frac{1}{4}''$  ( $4 \times 97$  cm) pieces in half lengthwise, wrong sides together, with the cord sandwiched between. Select right needle position. Sew an 18'' (45 cm) long seam in the center to sandwich the cord to the inside. Illustration C.

Tape and stitch the handle to the front piece with the pocket in between as illustrated. Repeat for back piece (but without pocket). Illustration D.

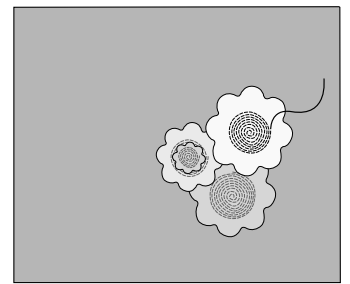


Illustration A.

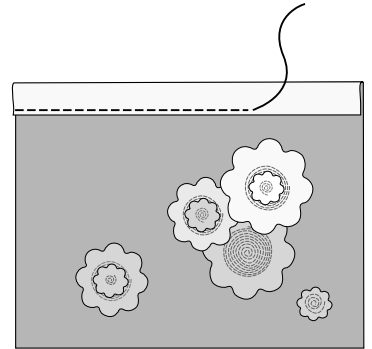


Illustration B.

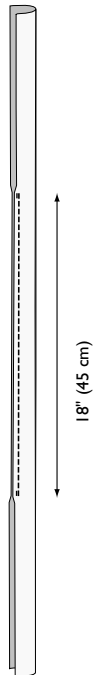


Illustration C.

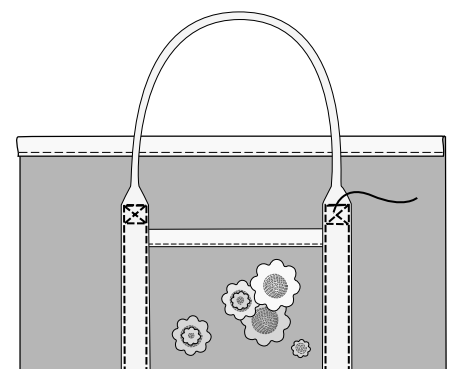


Illustration D.

Rethread with sewing thread to match fabric in the bobbin. Topstitch the inner pocket in place between the stitches from the handles.

To make a bag bottom, use sewing thread to match fabric on top and in the bobbin. Fold the bottom/side piece short sides  $8 \frac{1}{4}$ " (21.5 cm) leather sides together. Topstitch 1-2 mm from the folded edge as illustrated. Illustration E.

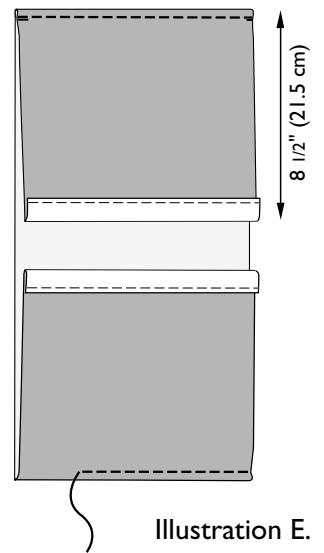


Illustration E.

Place the side/bottom piece with front and back piece, fabric sides together. Sew the bottom but leave  $\frac{5}{8}$ " (1.5 cm) unstitched on the sides. Clip the corner to stitching line. Stitch up along the sides. Turn bag right sides out and poke out corners. Illustration F.

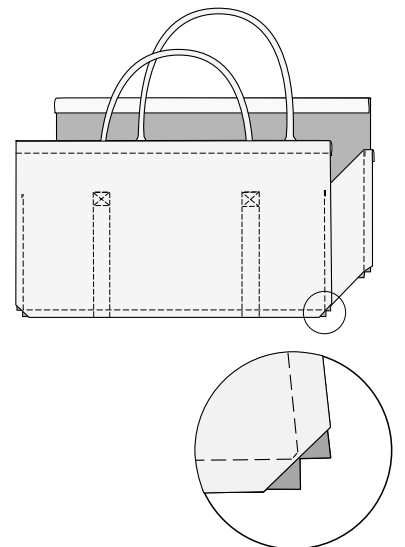


Illustration F.

To sew the zipper, rethread with matching color sewing thread on top and in the bobbin. Use right needle position straight stitch. Place the zipper underneath the folded edge and stitch letting the edge of the foot follow the folded edge of the fabric. Fold the seam allowance around the beginning of the zipper as illustrated. Illustration G.

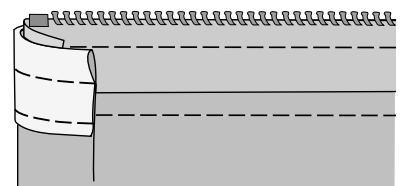


Illustration G.

Fold the 1 3/8" x 3 1/2" (3.5 x 9 cm) piece around the zipper end and topstitch in place.  
Illustration H.

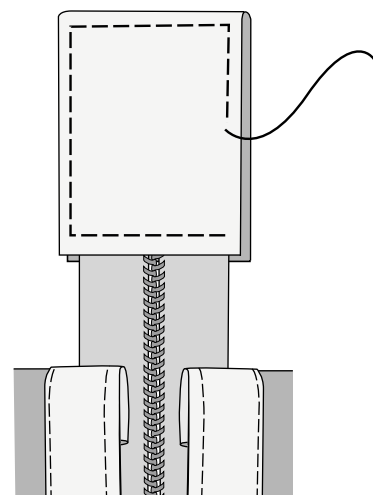
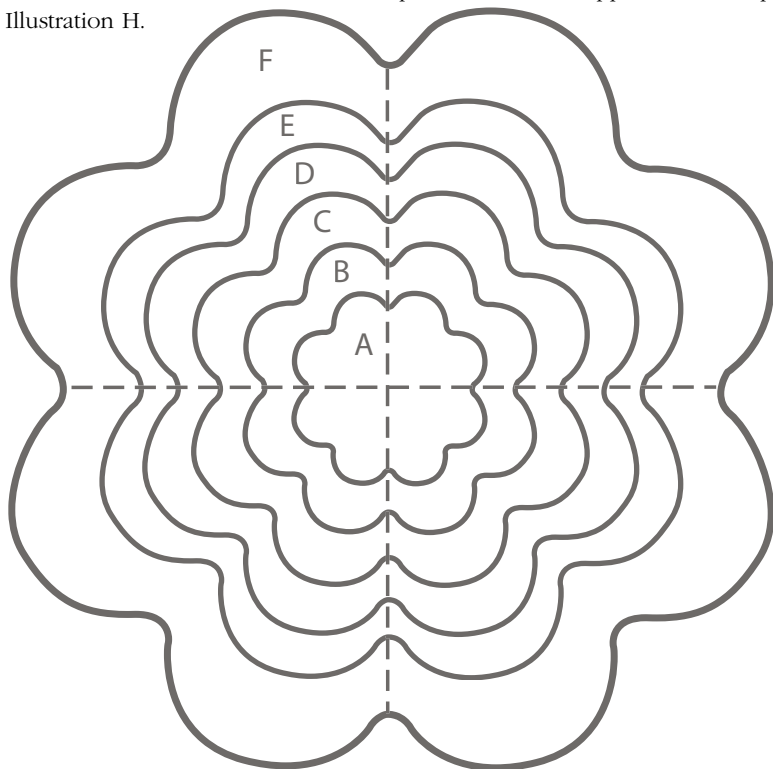


Illustration H.

To hold the side pieces together as the bag is closed, attach snaps on the sides.  
Illustration I.

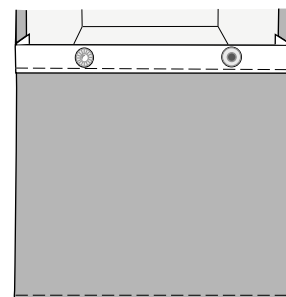


Illustration I.

Fold the bottom plate piece double and stitch the long side. Stitch one of the short sides. Insert the cardboard piece and topstitch other side. Illustration J.

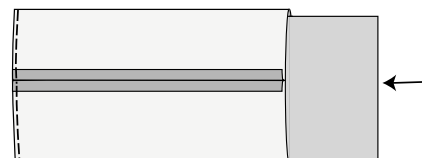


Illustration J.

Rethread with matching color on top and in the bobbin again. Stitch the seam allowance on the side/bottom piece in place. Illustration K.

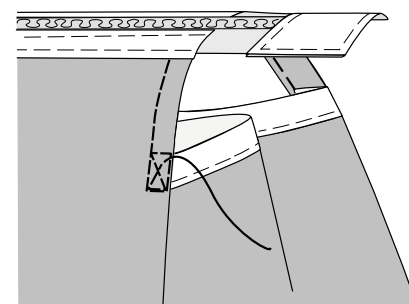


Illustration K.



**Husqvarna**

**VIKING**